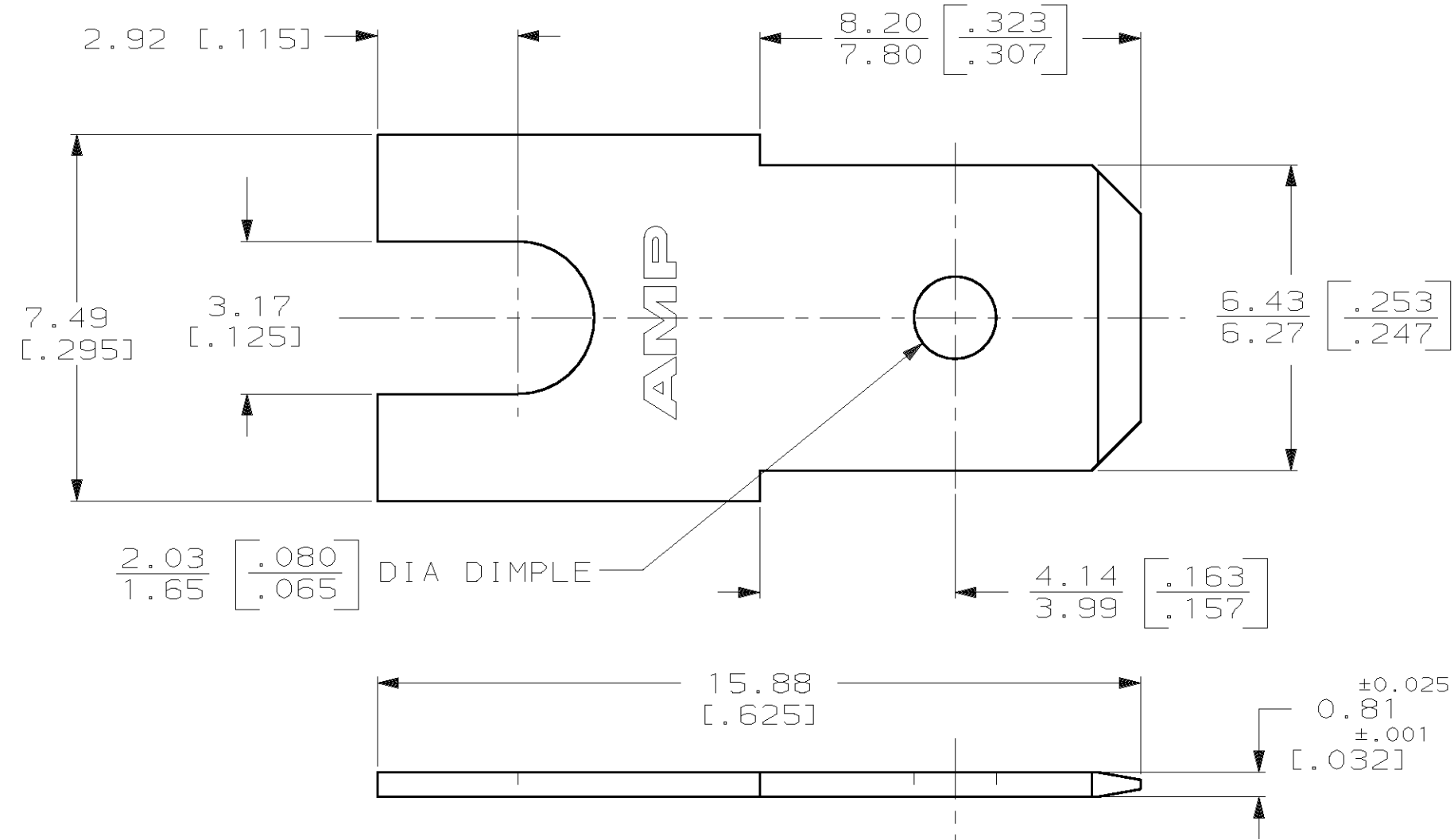


THIS DRAWING IS UNPUBLISHED. RELEASED FOR PUBLICATION, 19
 © COPYRIGHT 19 BY AMP INCORPORATED. ALL INTERNATIONAL RIGHTS RESERVED.

| LOC | DIST | P | F | ZONE | LTR | DESCRIPTION | DATE | APPD |
|-----|------|---|---|------|-----|----------------------|---------|------|
| AF | 50 | | | | G | REV PER 0L10-0205-97 | 5/14/97 | JR |

1 SUPPLIED IN LOOSE PIECE



METRIC

DO NOT SCALE PRINT.
 UNLESS SPECIFIED
 DIMENSIONS IN mm [INCHES]
 TOLERANCES ON:
 2 PLC DEC ± 0.25 [.010]
 3 PLC DEC ± -
 ANGLES ± -

MATERIAL
 SEE TABLE

FINISH
 -

DR 12/19/91
 JR RUTH
 CHK 12/19/91
 MS FEHER
 APPD 12/19/91
 C MEYERS
 APPD 12/19/91
 D REINER
 PRODUCT SPEC
 -
 APPLICATION SPEC
 -
 WEIGHT -

| | |
|--|--------------------|
| T3 STEEL | 60447-2 |
| 082 BRASS | 60447-1 |
| MATERIAL | PART NO |
| AMP AMP Incorporated Harrisburg, PA 17105-3608 | |
| NAME TAB, FASTON, 6.35 [.250] SERIES | |
| SIZE B | CAGE CODE 00779 |
| DRAWING NO 60447 | |
| SCALE 8:1 | SHEET 1 OF 1 |